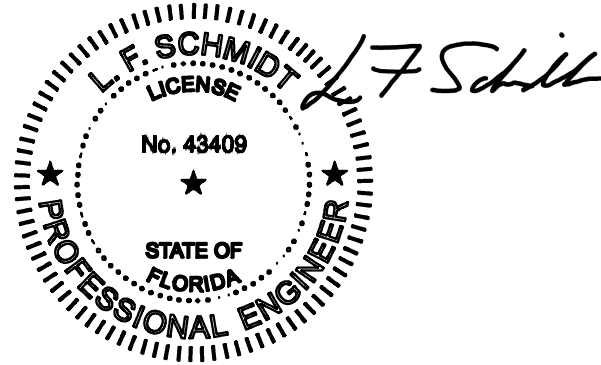


# THERMA-TRU<sup>®</sup> DOORS

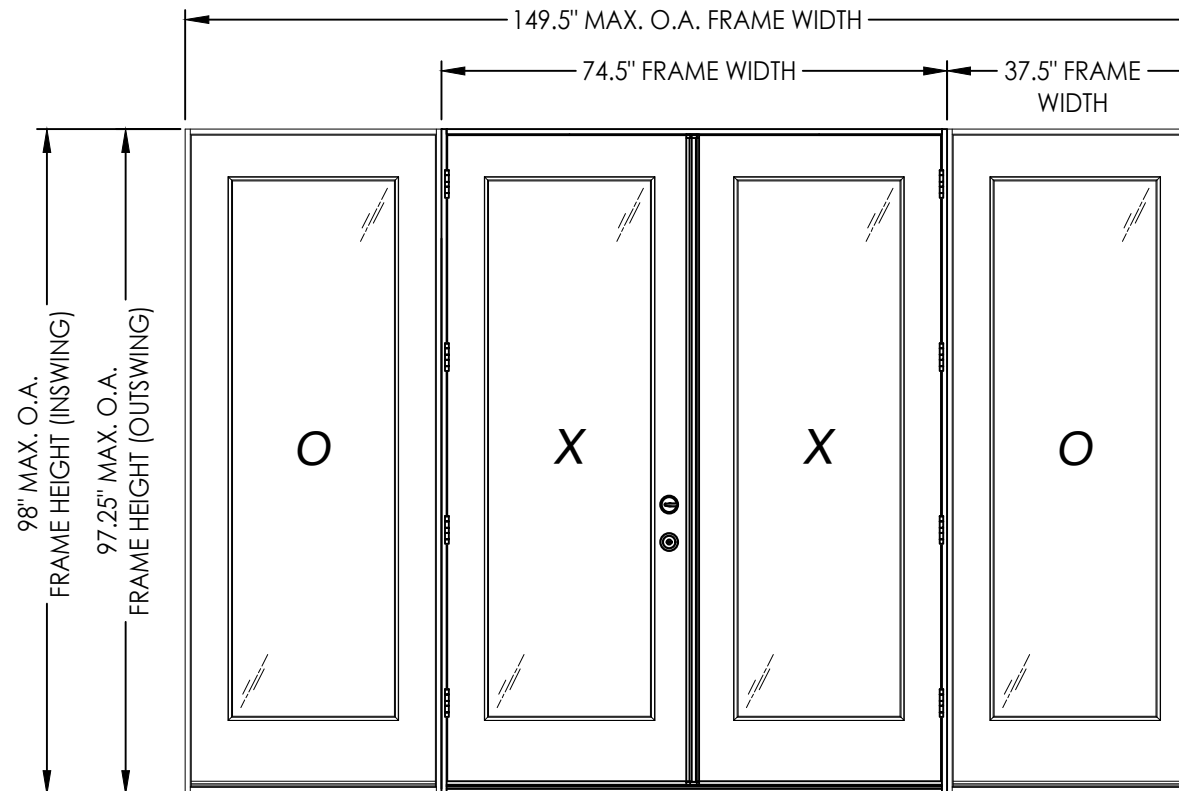
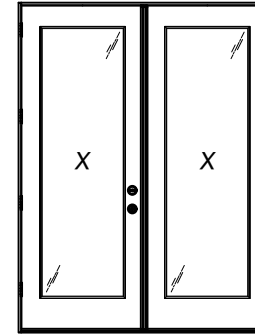
Fiber-Classic<sup>®</sup> & Smooth-Star<sup>®</sup>

## COMPOSITE EDGE FLUSH GLAZED FIBERGLASS DOUBLE DOOR w/ or w/out SIDELITES IN SWING/OUT SWING "IMPACT"



This item has been digitally signed and sealed by L. F. Schmidt, P.E. on the date adjacent to the seal. Printed copies of this document are not considered signed and sealed and the signature must be verified on any electronic copies.

THIS PRODUCT APPROVAL IS VALID ONLY FOR THE STATE OF FLORIDA



### GENERAL NOTES

1. This product has been evaluated and is in compliance with the 8th Edition (2023) Florida Building Code (FBC) structural requirements excluding the "High Velocity Hurricane Zone" (HVHZ).
2. Product anchors shall be as listed and spaced as shown on details. Anchor embedment to base material shall be beyond wall dressing or stucco.
3. When used in areas requiring wind borne debris protection this product complies with FBC Sections 1609.1.2 & R301.2.1.2 and does not require an impact resistant covering. This product meets missile level "D" and excludes Wind Zone 4 as defined in ASTM E1996 and FBC Sections 1609.1.2.2 & R301.2.1.2.1.
4. For 2x stud framing construction, anchoring of these units shall be the same as that shown for 2x buck masonry construction.
5. Site conditions that deviate from the details of this drawing require further engineering analysis by a licensed engineer or registered architect.
6. Fiber-Classic & Smooth-Star Door panel require the use of "J" part numbers and must be stained or painted within six months of installation.

### TABLE OF CONTENTS

SHEET #	DESCRIPTION	SHEET#	
1	Typical Elevations, Design Pressures & General Notes	8	Horizontal Cross Sections
2	Door Panel Details	9	Vertical Cross Sections (Thresholds)
3	Sidelite Panel & Glazing Details	10	Buck Anchoring
4	Elevations	11	Frame Anchoring
5	Horizontal & Vertical Cross Sections (2X Buck)	12	Hardware Details
6	Horizontal & Vertical Cross Sections (1X Buck)	13	Bill of Materials & Components
7	Horizontal & Vertical Cross Sections (Direct to Masonry)		

CONFIGURATION	JAMB MATERIAL	DESIGN PRESSURE (PSF) INSWING		DESIGN PRESSURE (PSF) OUTSWING	
		POSITIVE	NEGATIVE	POSITIVE	NEGATIVE
XX	FJ PINE or COMPOSITE	+50.0	-50.0	+50.0	-50.0
OXXO	FJ PINE	+45.0	-50.0	+45.0	-45.0
	COMPOSITE	+50.0	-50.0	+50.0	-50.0

Documents Prepared By:  
Lyndon F. Schmidt  
P.E. No. 43409

*RW* BUILDING CONSULTANTS, INC.  
P.O. Box 230, Valrico, FL 33595  
Phone No.: 813.659.9197  
FBPE Registry No. 9813

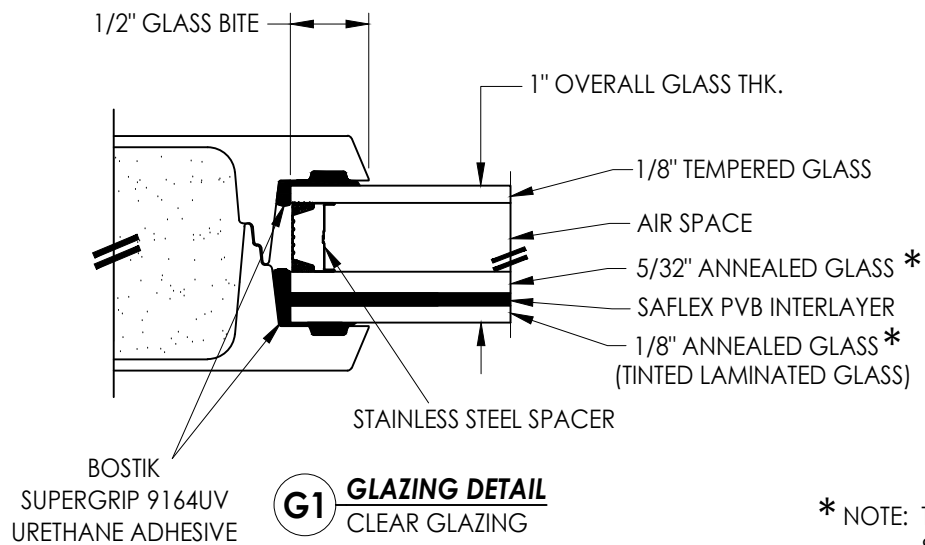
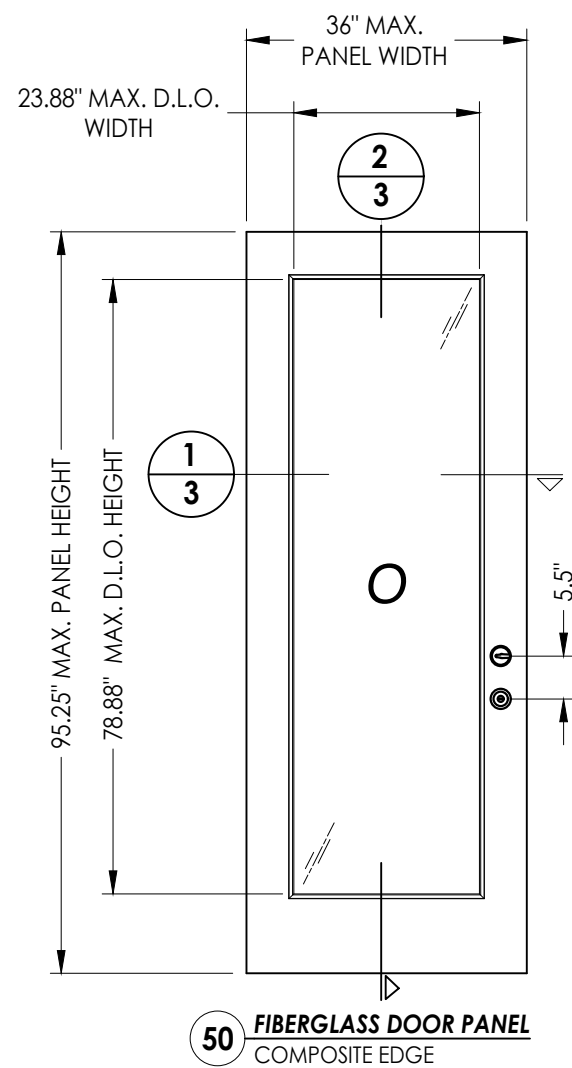
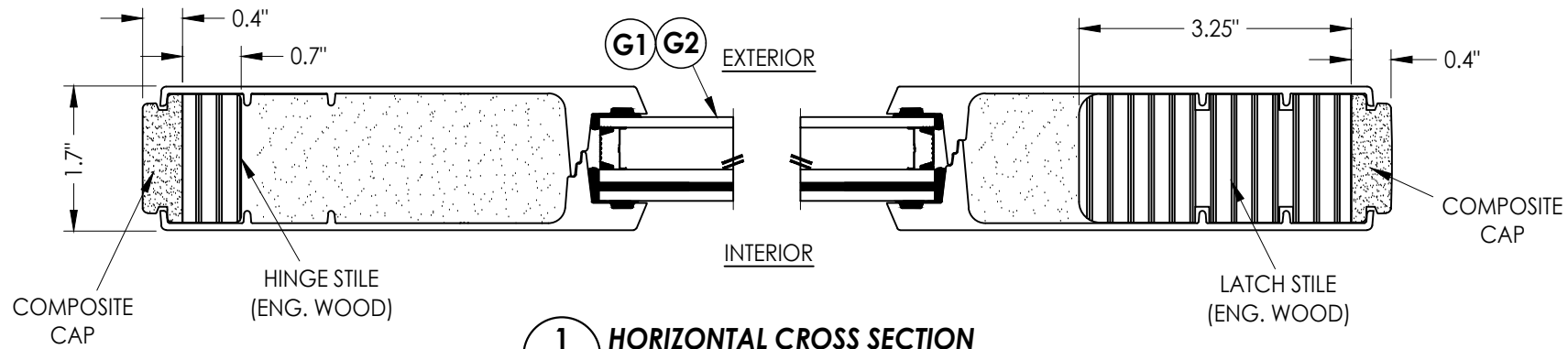
PRODUCT:  
THERMA-TRU  
FIBERGLASS DOOR

PART OR ASSEMBLY:  
TYPICAL ELEVATION, DESIGN  
PRESSURES & GENERAL NOTES

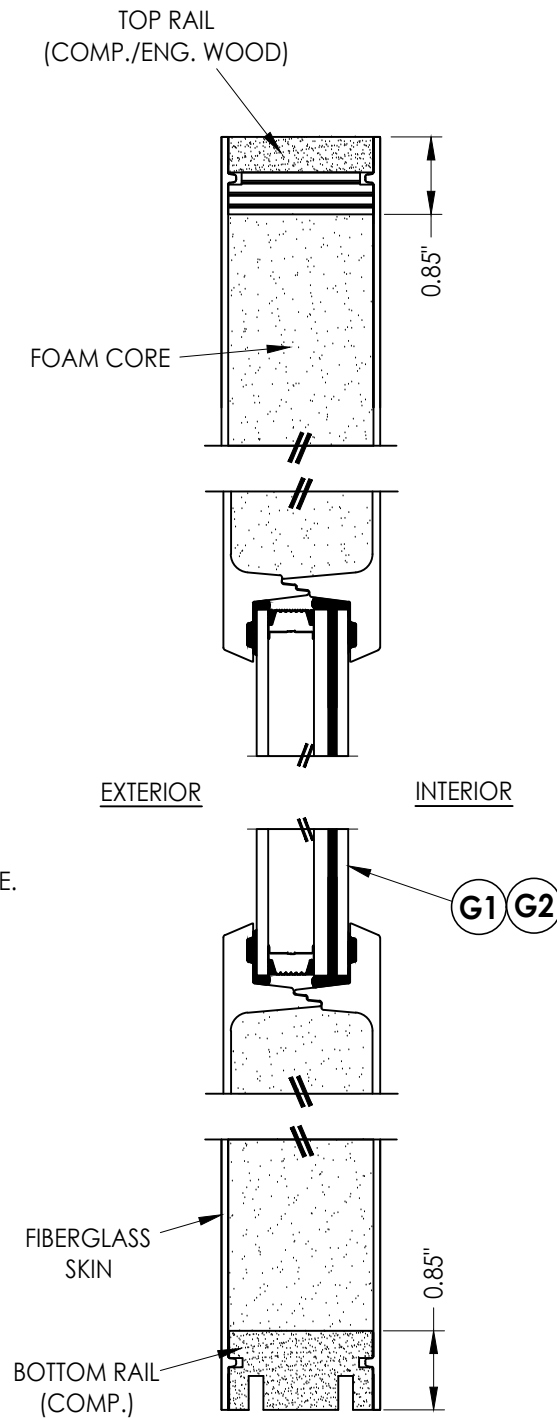
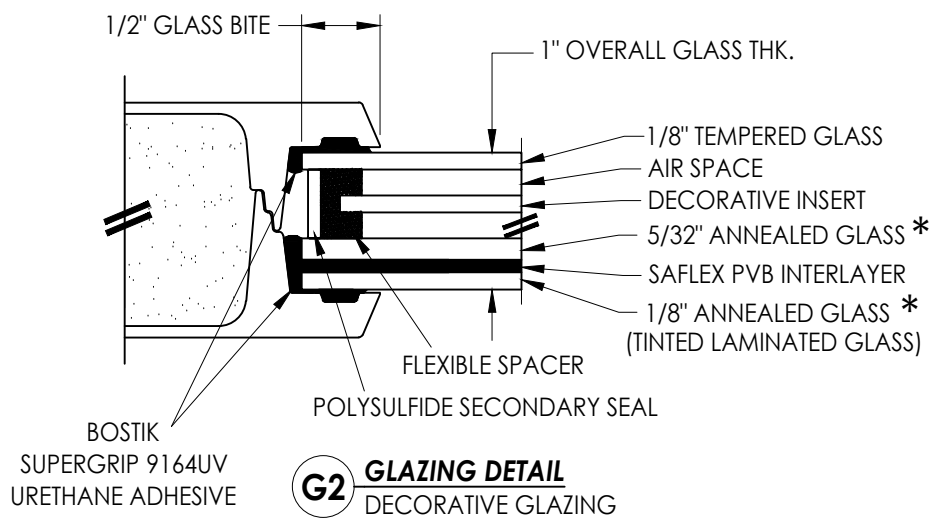
NO.	DATE	BY	REVISIONS

DATE: 6/17/24  
SCALE: N.T.S.  
DWG. BY: LFS  
CHK. BY: RW  
DRAWING NO.: FL-46832.6  
SHEET 1 OF 13





\* NOTE: THE LAMINATED GLASS MAY BE FLIPPED SO THAT THE 5/32" ANNEALED GLASS IS ADJACENT TO THE FLUSH GLAZING FRAME.



FIBERGLASS SKIN: 0.077" MIN. THK.  
FOAM CORE: POLYURETHANE -1.9 PCF MIN.

Documents Prepared By:  
Lyndon F. Schmidt  
P.E. No. 43409

**RW** BUILDING CONSULTANTS, INC.  
P.O. Box 230, Valrico, FL 33595  
Phone No.: 813.659.9197  
FBPE Registry No. 9813

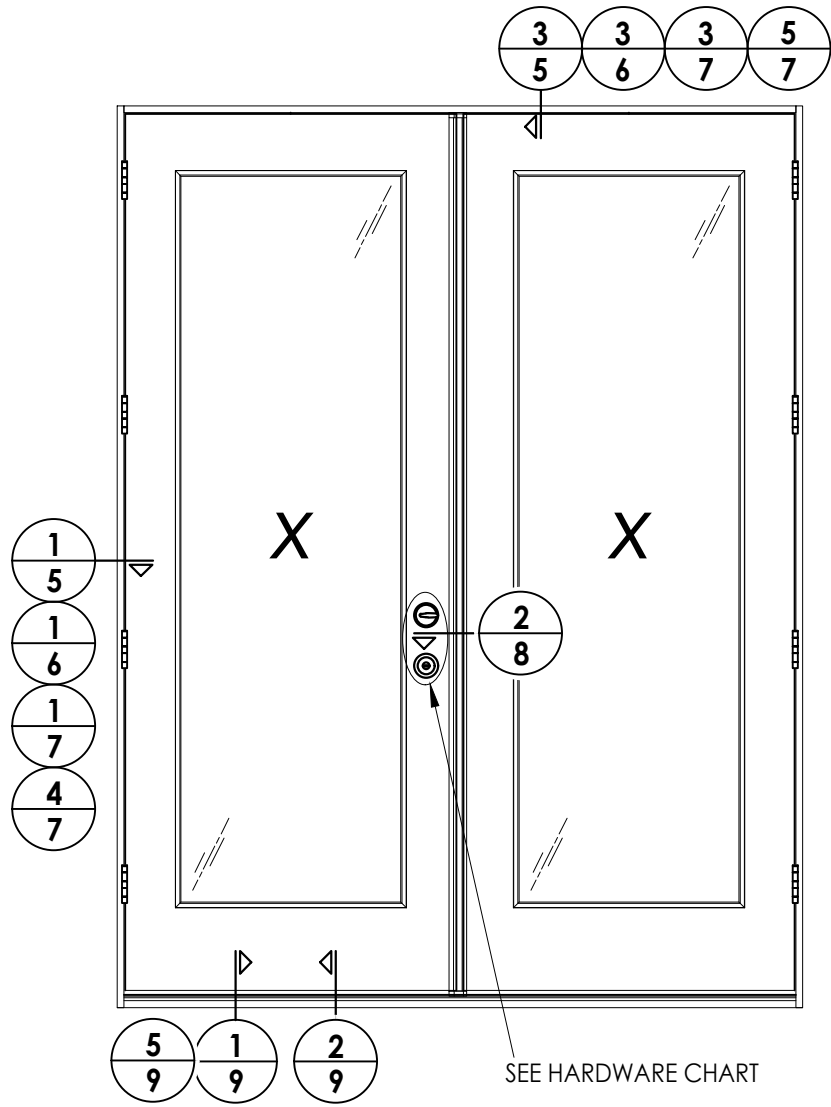
PRODUCT: THERMA-TRU FIBERGLASS DOOR

PART OR ASSEMBLY: SIDELITE PANEL & GLAZING DETAILS

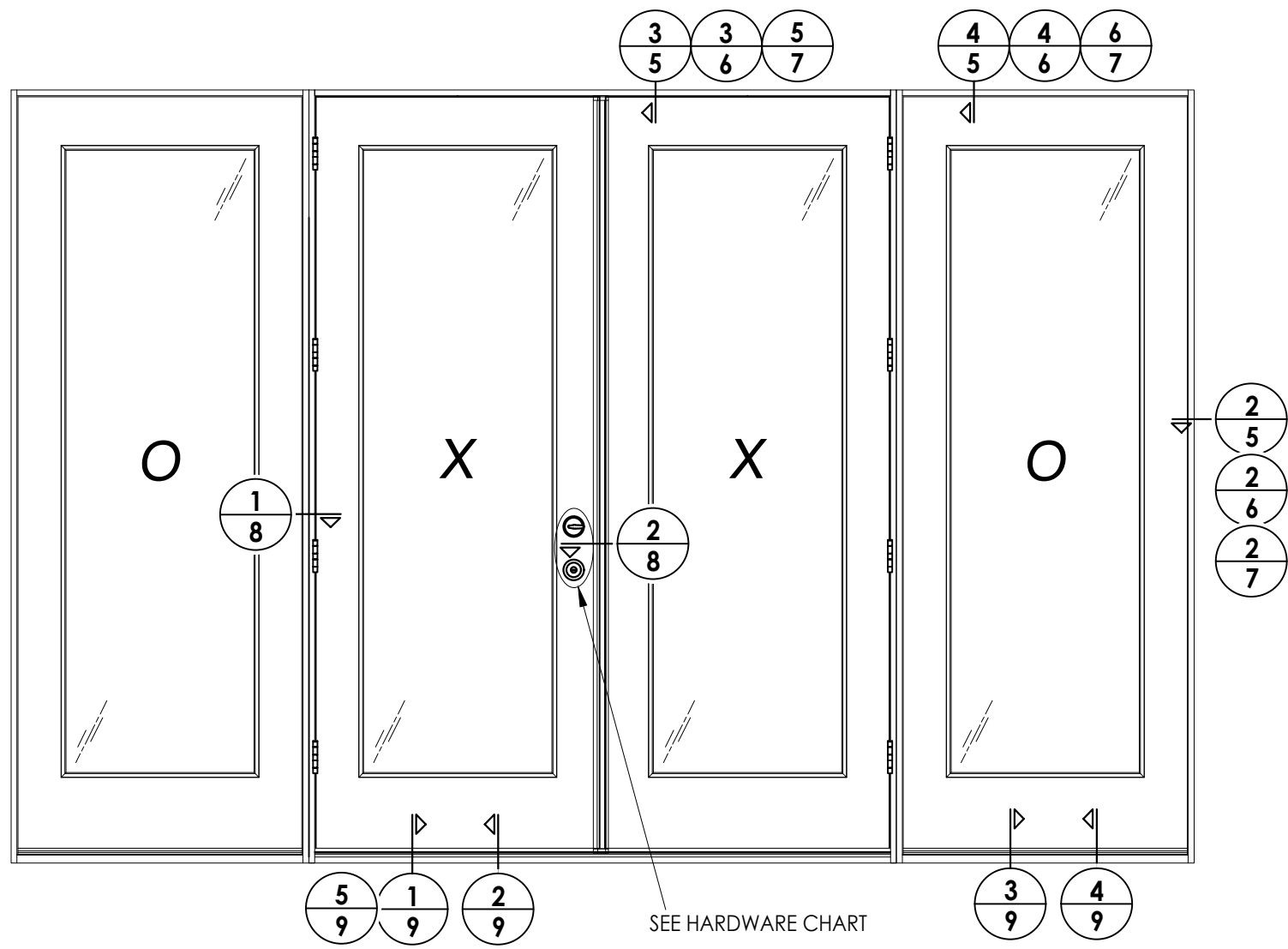
NO.	DATE	BY

REVISIONS

DATE: 6/17/24  
SCALE: N.T.S.  
DWG. BY: LFS  
CHK. BY: RW  
DRAWING NO.: FL-46832.6  
SHEET 3 OF 13



ELEVATION  
XX



ELEVATION  
OXXO

HARDWARE TABLE	
MANUFACTURER	MODEL
SCHLAGE	KNOB: F51 DEADBOLT: B60
KWIKSET	KNOB: SIGNATURE SERIES DEADBOLT: SIGNATURE SERIES (980)
HOPPE (THERMA-TRU)	MULTIPOINT : MPDGSB (3 pt. Manual Shootbolt)

Documents Prepared By:  
Lyndon F. Schmidt  
P.E. No. 43409

**RW** BUILDING CONSULTANTS, INC.  
P.O. Box 230, Valrico, FL 33595  
Phone No.: 813.659.9197  
FBPE Registry No. 9813

PRODUCT: THERMA-TRU  
FIBERGLASS DOOR

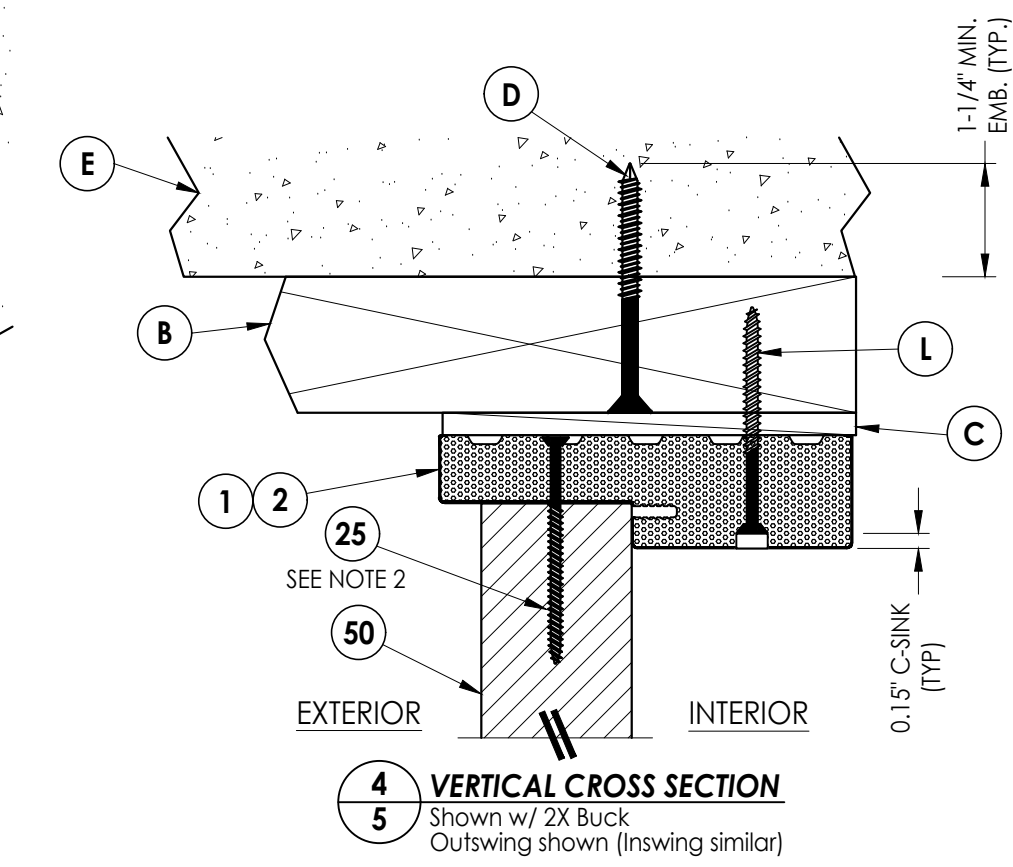
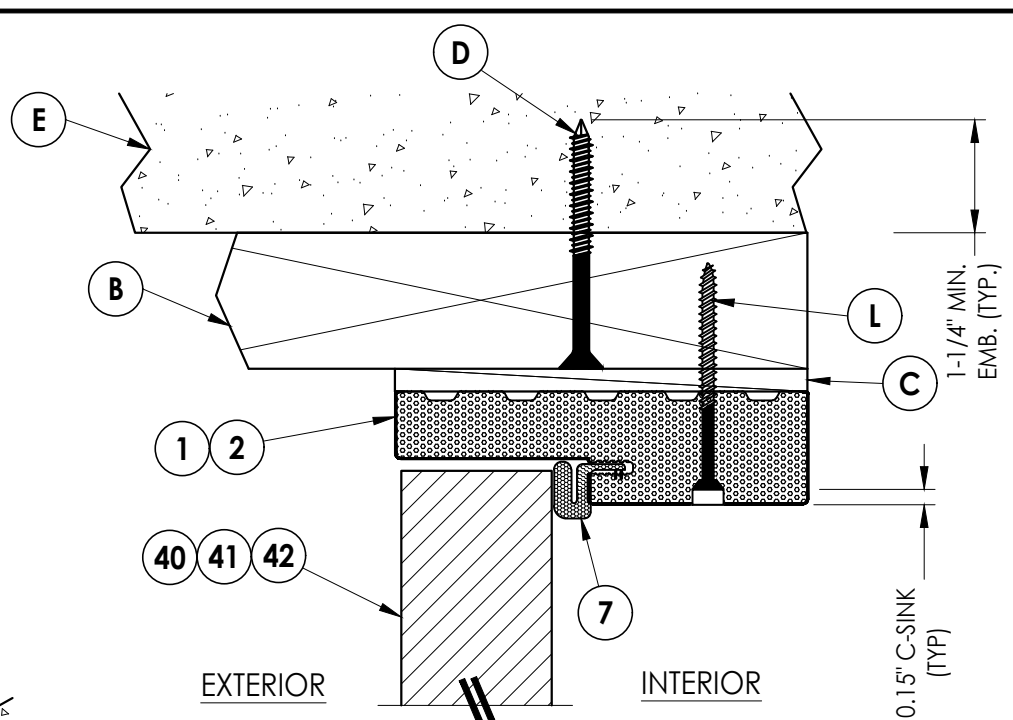
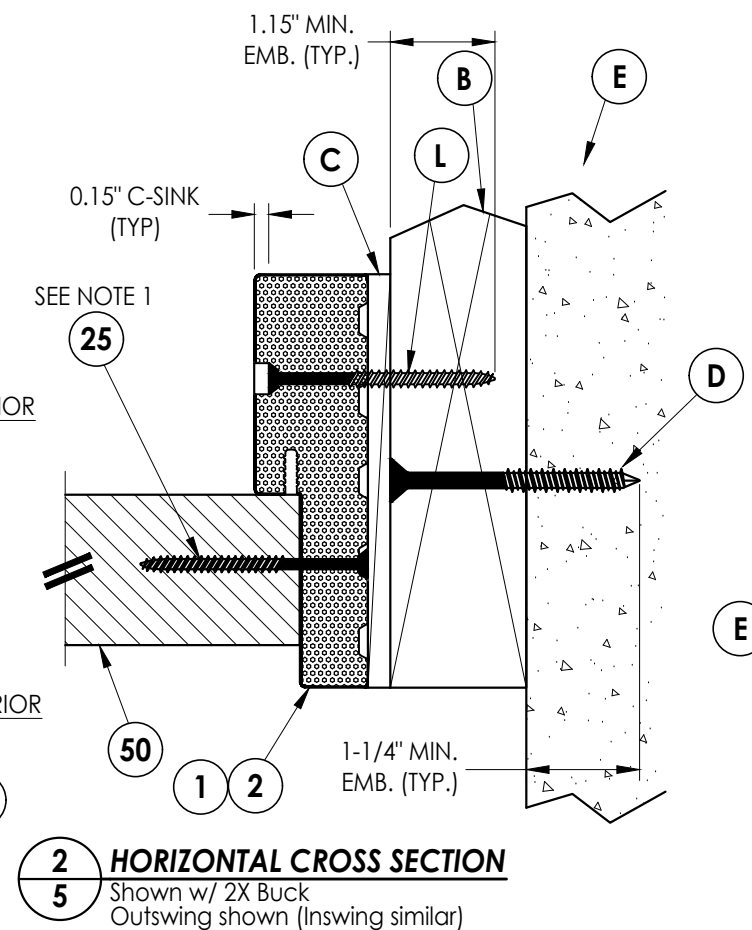
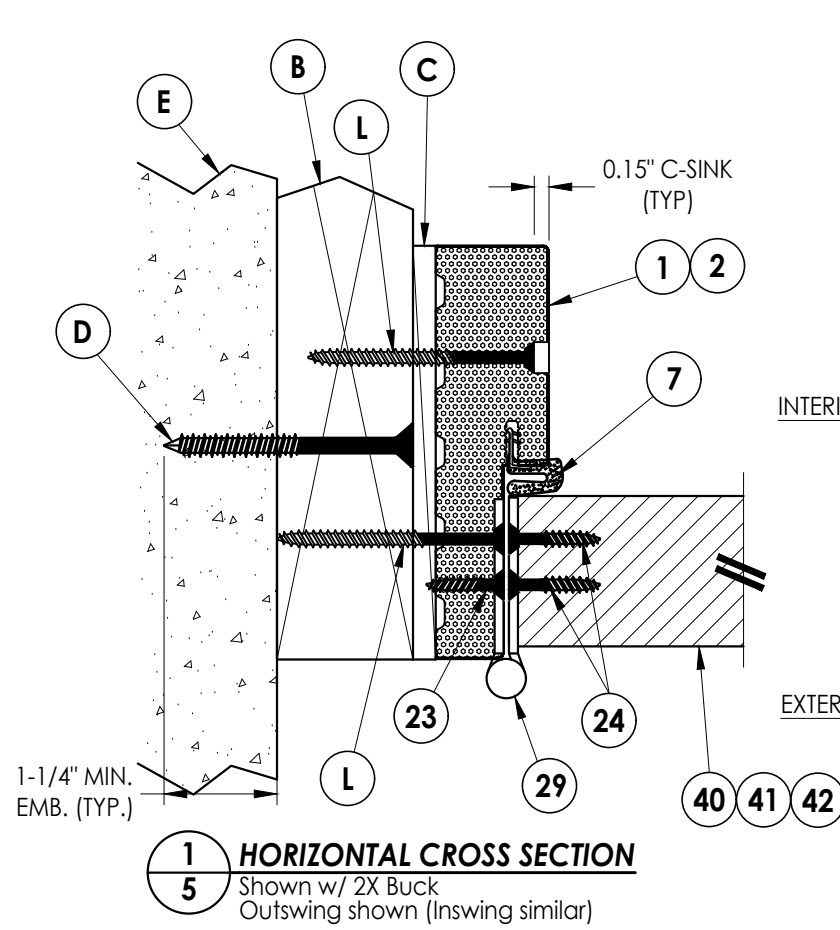
PART OR ASSEMBLY:  
ELEVATIONS

NO.	DATE	BY

DATE: 6/17/24  
SCALE: N.T.S.  
DWG. BY: LFS  
CHK. BY: RW  
DRAWING NO.: FL-46832.6  
SHEET 4 of 13

Notes:

- Sidelite assembly screws located 6" from each end and 6 more screws equally spaced between (8 screws total per side jamb).
- Sidelite assembly screws located 3" from each end & at centerline (3 screws total @ head).



Documents Prepared By:  
Lyndon F. Schmidt  
P.E. No. 43409

**RW** BUILDING CONSULTANTS, INC.  
P.O. Box 230, Valrico, FL 33595  
Phone No.: 813.659.9197  
FBPE Registry No. 9813

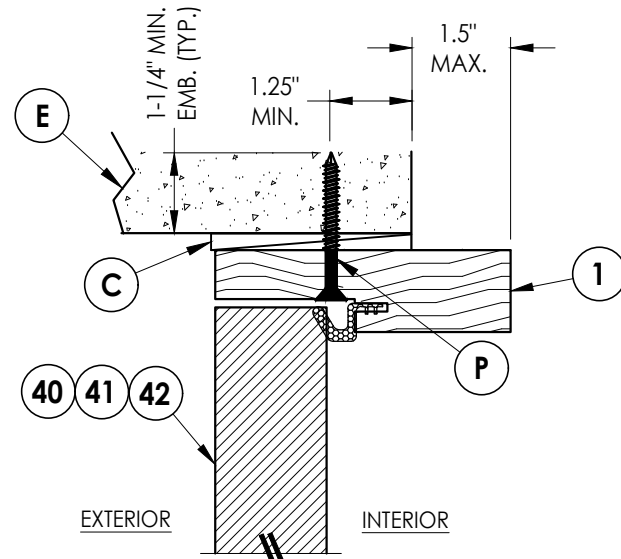
PRODUCT: THERMA-TRU  
FIBERGLASS DOOR

PART OR ASSEMBLY:  
HORIZONTAL & VERTICAL  
CROSS SECTIONS (2X BUCK)

NO.	DATE	BY

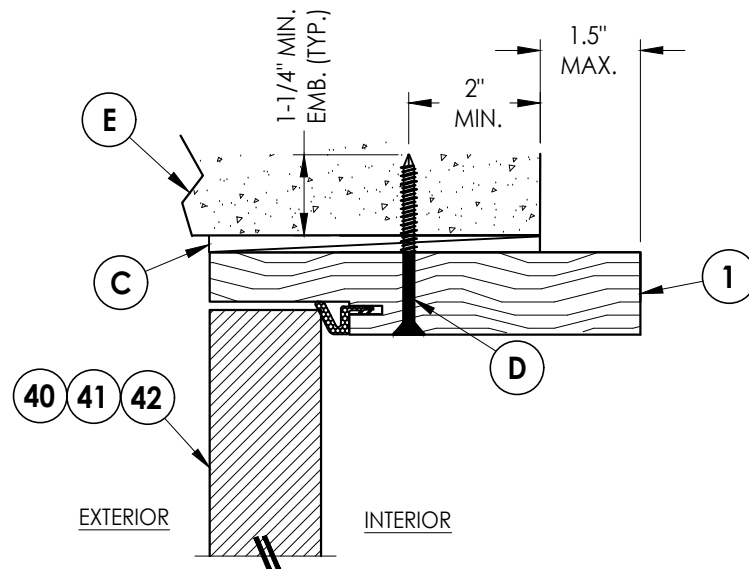
DATE: 6/17/24  
SCALE: N.T.S.  
DWG. BY: RW  
CHK. BY: LFS  
DRAWING NO.: FL-46832.6  
SHEET 5 OF 13





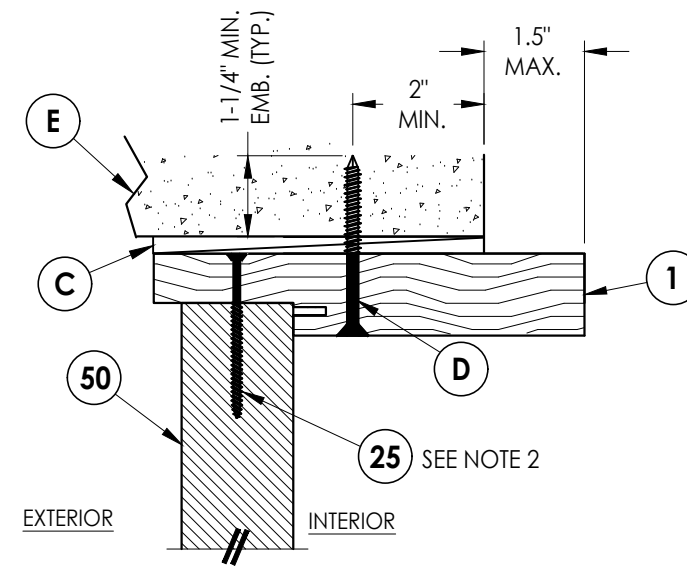
**3** **VERTICAL CROSS SECTION**

**7** Shown Direct to Masonry  
Outswing only w/ 4-9/16" jamb  
Double Door Only (N/A w/ Sidelites)



**5** **VERTICAL CROSS SECTION**

**7** Shown Direct to Masonry  
Outswing only w/ 6-9/16" jamb

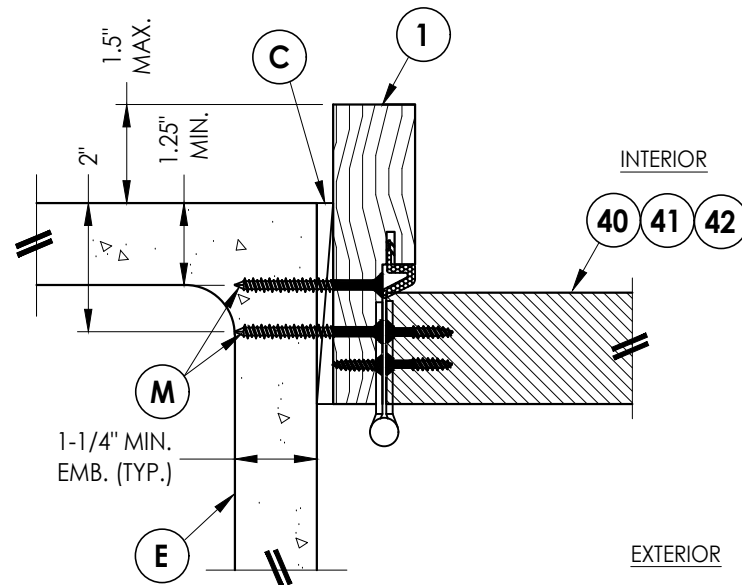


**6** **VERTICAL CROSS SECTION**

**7** Shown Direct to Masonry  
Outswing only w/ 6-9/16" jamb

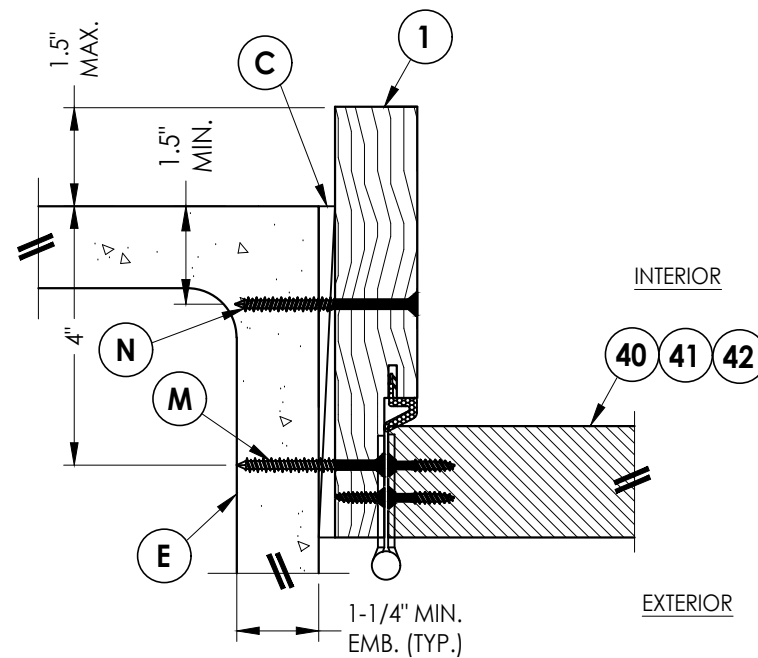
**Note:**

- Sidelite assembly screws located 6" from each end plus 6 more equally spaced between (8 screws total per side jamb).
- Sidelite assembly screws located 3" from each end & at centerline (3 screws total @ head).



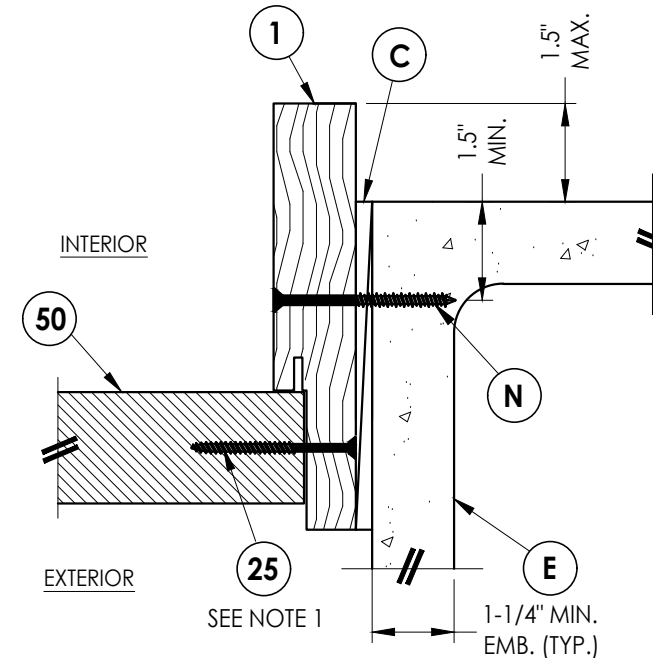
**1** **HORIZONTAL CROSS SECTION**

**7** Shown Direct to Masonry  
Outswing only w/ 4-9/16" jamb  
Double Door Only (N/A w/ Sidelites)



**4** **HORIZONTAL CROSS SECTION**

**7** Shown Direct to Masonry  
Outswing only w/ 6-9/16" jamb



**2** **HORIZONTAL CROSS SECTION**

**7** Shown Direct to Masonry  
Outswing only w/ 6-9/16" jamb

Documents Prepared By:  
Lyndon F. Schmidt  
P.E. No. 43409

**RW** BUILDING CONSULTANTS, INC.  
P.O. Box 230, Vairico, FL 33595  
Phone No.: 813.659.9197  
FBPE Registry No. 9813

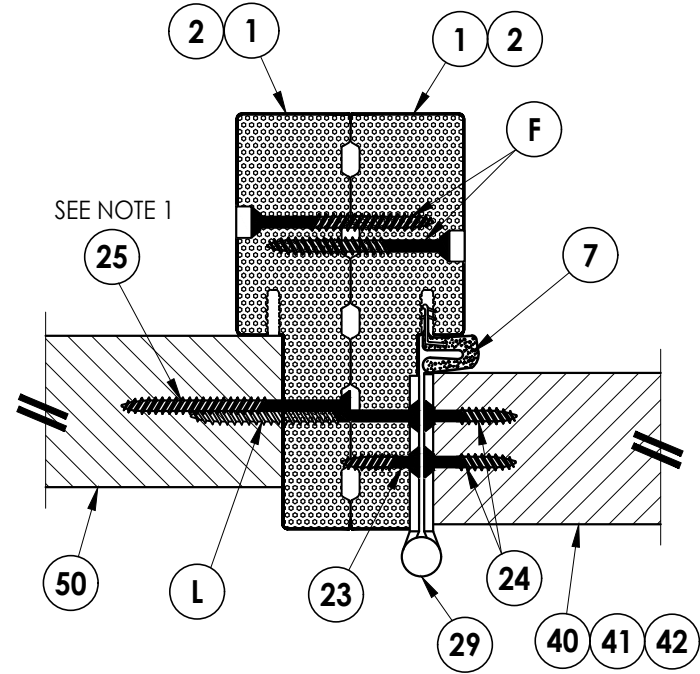
PRODUCT: THERMA-TRU FIBERGLASS DOOR  
PART OR ASSEMBLY: HORIZONTAL & VERTICAL SECTIONS (DIRECT TO MASONRY)

NO.	DATE	BY	REVISIONS

DATE: 6/17/24  
SCALE: N.T.S.  
DWG. BY: RW  
CHK. BY: LFS  
DRAWING NO.: FL-46832.6  
SHEET 7 OF 13

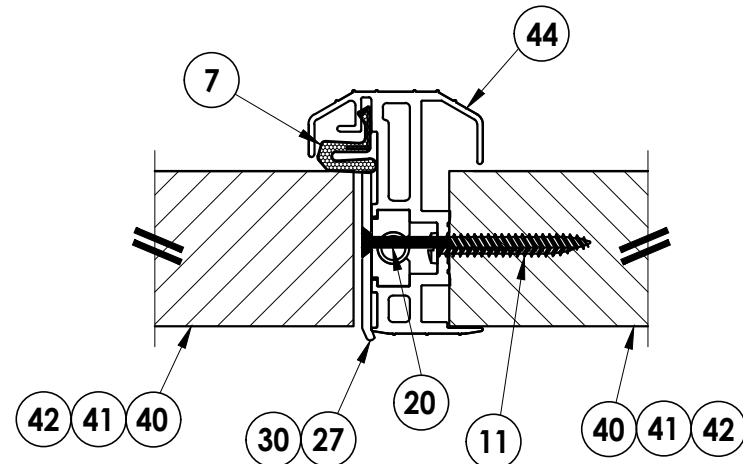
Notes:

1. Sidelite assembly screws located 6" from each end and 6 more screws equally spaced between (8 screws total per side jamb).



**1** HORIZONTAL CROSS SECTION  
**8** Outswing shown (Inswing similar)

INTERIOR



**2** HORIZONTAL CROSS SECTION  
**8** Outswing shown (Inswing similar)

ASTRAGAL SCREWS  
 (11) TOTAL

EXTERIOR

Documents Prepared By:  
 Lyndon F. Schmidt  
 P.E. No. 43409

**RW** BUILDING CONSULTANTS, INC.  
 P.O. Box 230, Valrico, FL 33595  
 Phone No.: 813.659.9197  
 FBPE Registry No. 9813

PRODUCT:  
 THERMA-TRU  
 FIBERGLASS DOOR

PART OR ASSEMBLY:  
 HORIZONTAL CROSS  
 SECTIONS

NO.	DATE	BY	REVISIONS

DATE: 6/17/24

SCALE: N.T.S.

DWG. BY: RW

CHK. BY: LFS

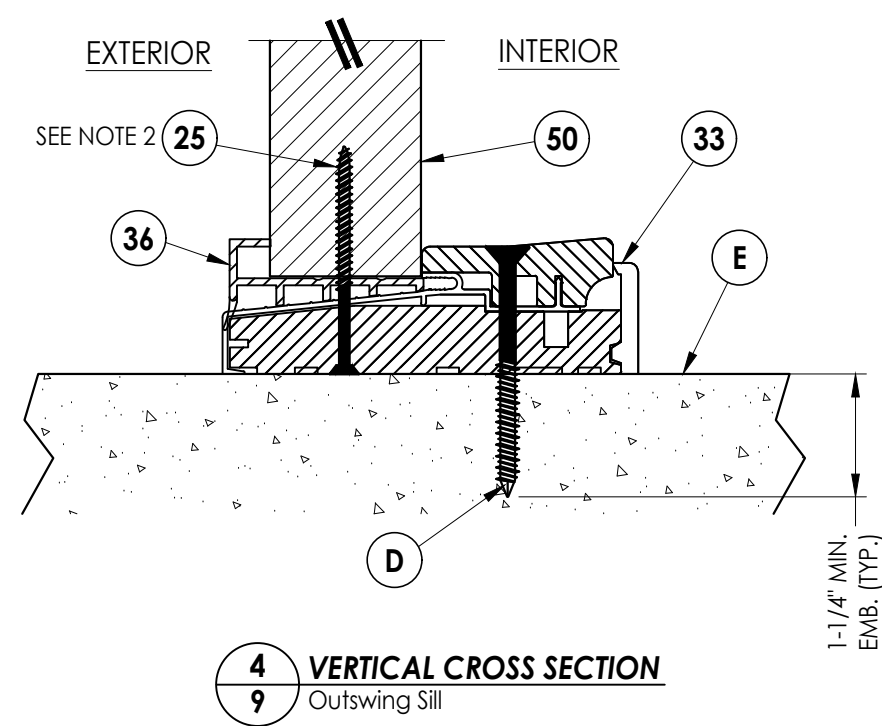
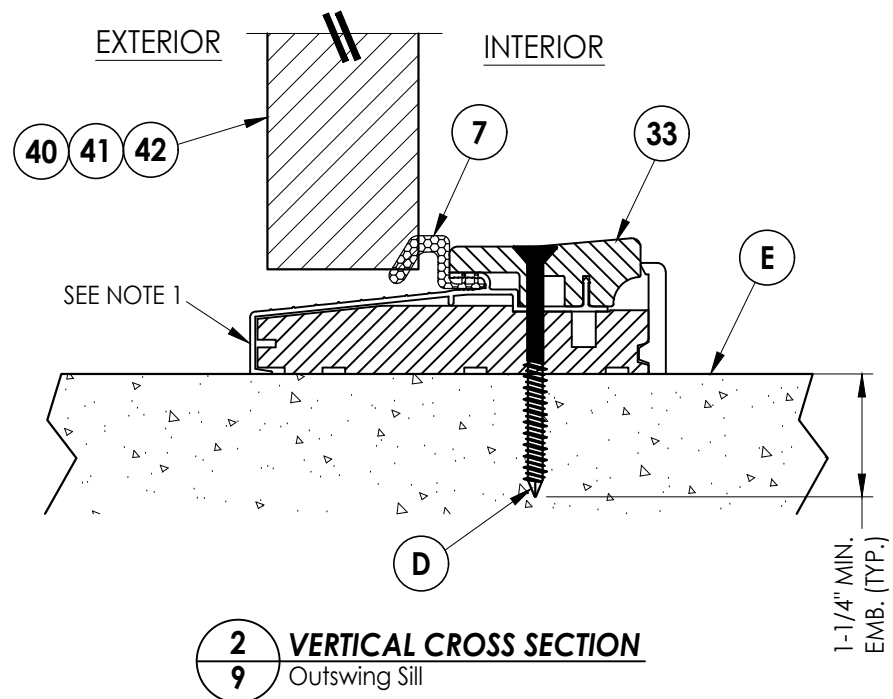
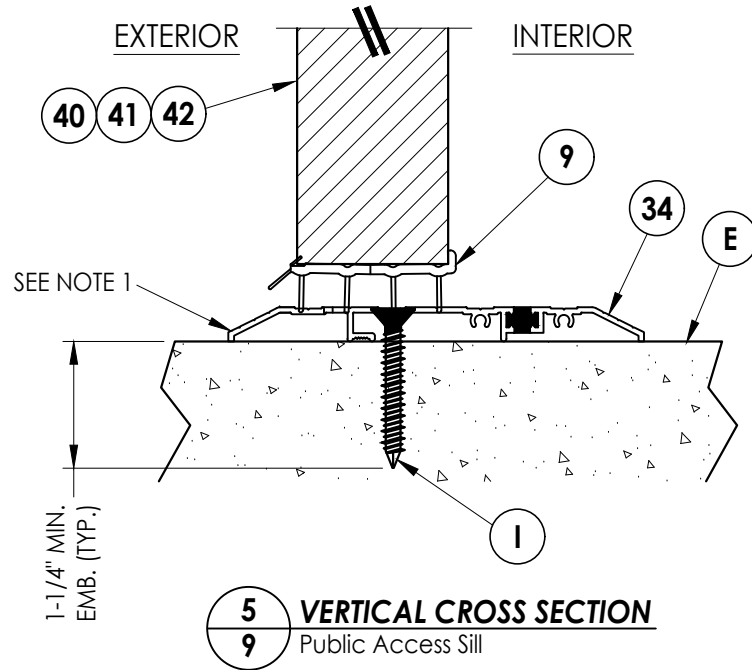
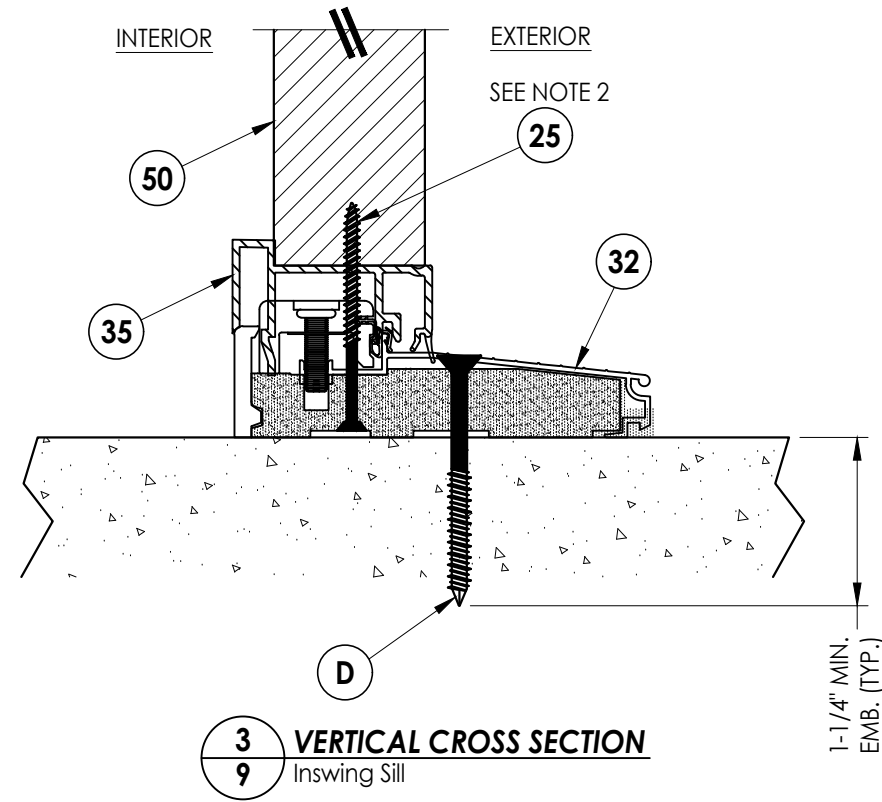
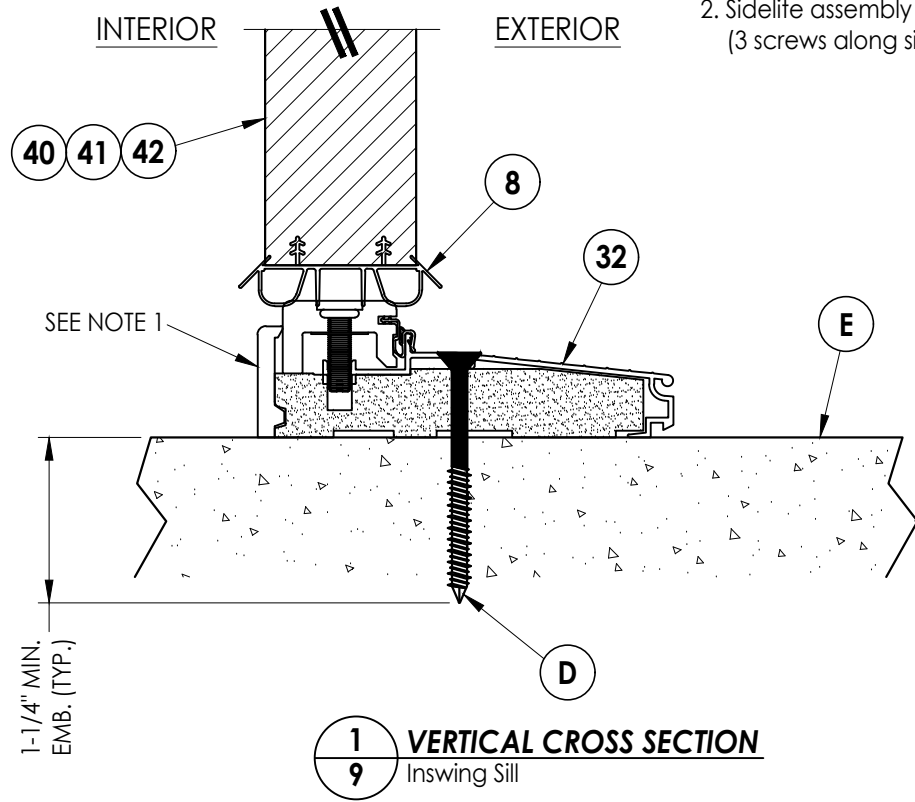
DRAWING NO.:  
 FL-46832.6

SHEET 8 OF 13



Notes:

- Sill Item #32 is attached to jambs w/ (3) #8 X 2-1/2" pfh screws at each end.  
Sill Item #33 is attached to jambs w/ (2) #8 X 2-1/2" pfh screws at each end.  
Sill Item #34 is attached to jambs utilizing (2) #10 X 2" pph SMS at each end.
- Sidelite assembly screws located 3" from each end and @ centerline (3 screws along sill).



Documents Prepared By:  
Lyndon F. Schmidt  
P.E. No. 43409

**RW** BUILDING CONSULTANTS, INC.  
P.O. Box 230, Valrico, FL 33595  
Phone No.: 813.659.9197  
FBPE Registry No. 9813

PRODUCT:  
THERMA-TRU  
FIBERGLASS DOOR

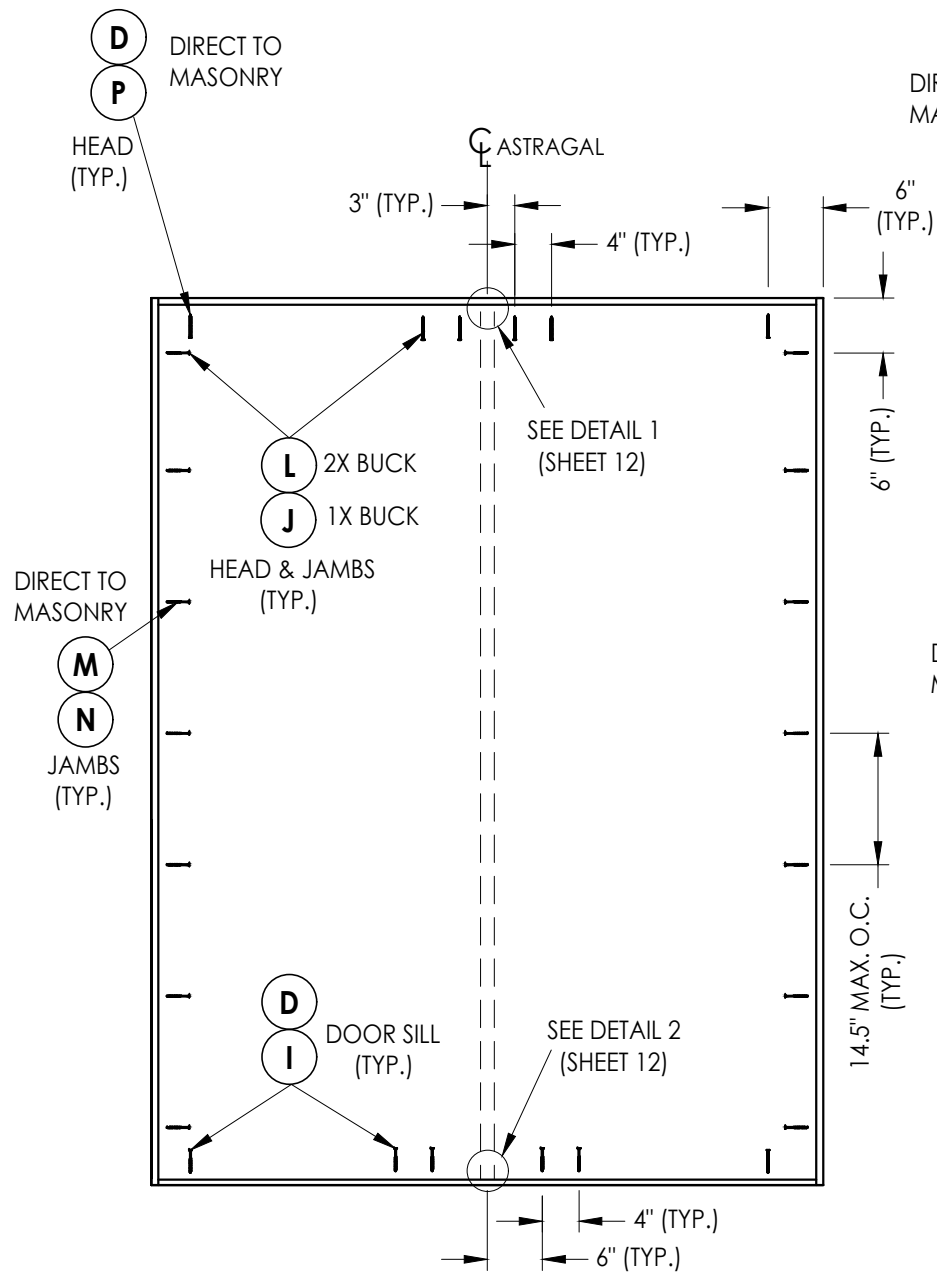
PART OR ASSEMBLY:  
VERTICAL CROSS  
SECTIONS (THRESHOLDS)

NO.	DATE	BY	REVISIONS

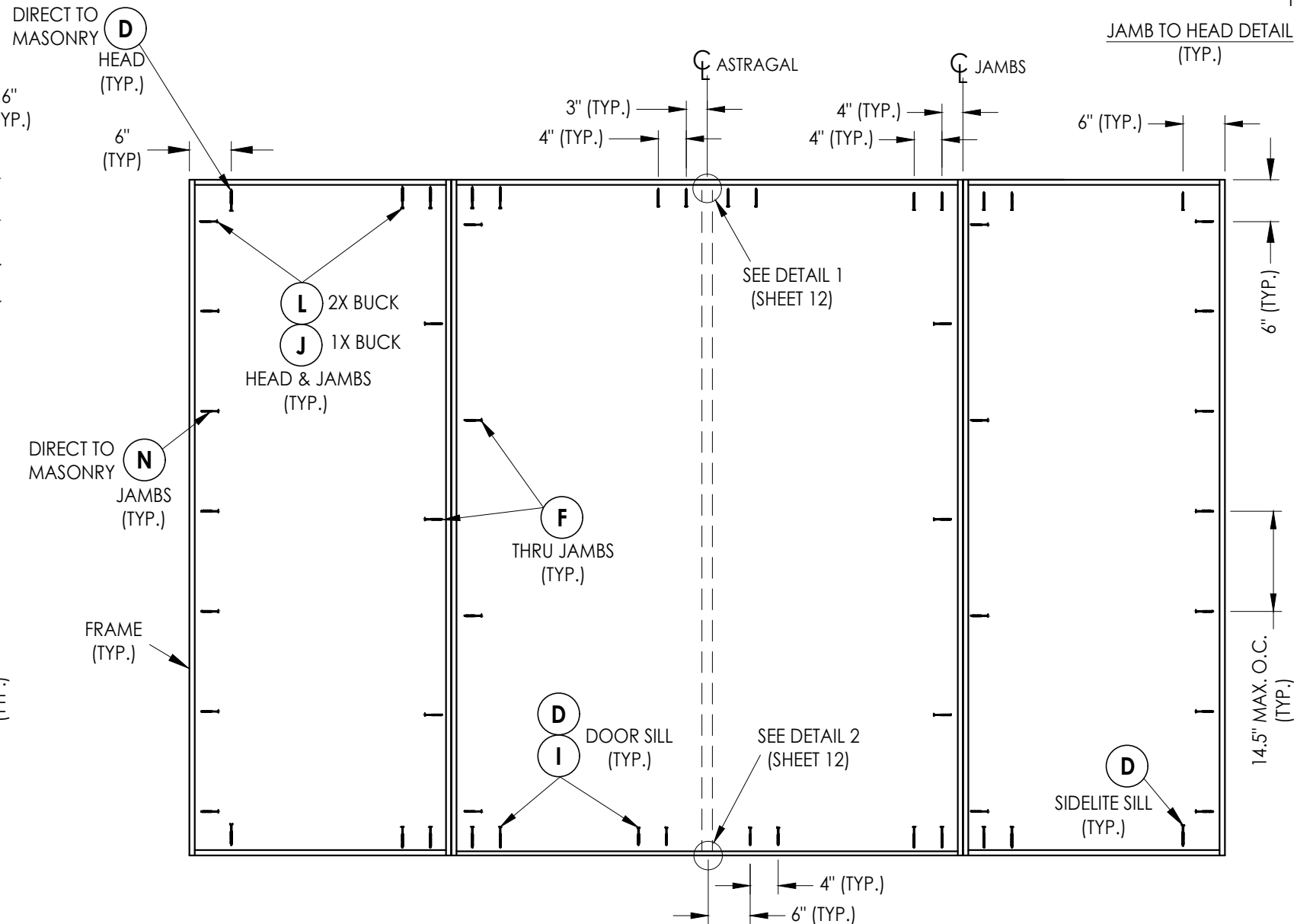
DATE: 6/17/24  
SCALE: N.T.S.  
DWG. BY: RW  
CHK. BY: LFS  
DRAWING NO.:  
FL-46832.6  
SHEET 9 of 13



Z:\2023 FBC Drawings\Therma-Tru\FL-46832\FL-46832.4-6.dwg

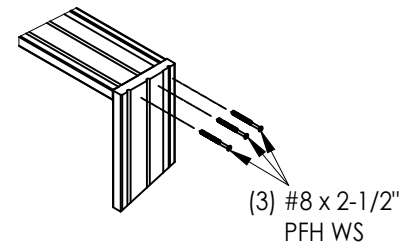


**XX**



**OXXO**

**FRAME ANCHORING**



JAMB TO HEAD DETAIL (TYP.)

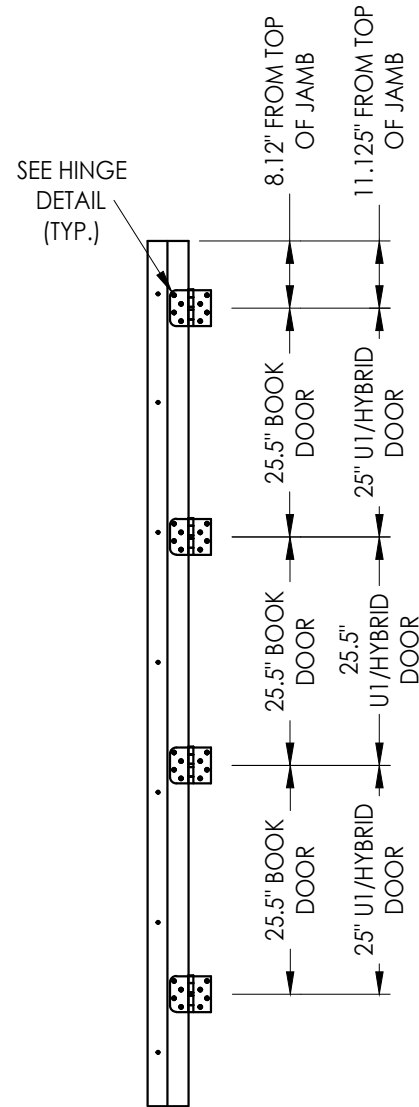
Documents Prepared By:  
Lyndon F. Schmidt  
P.E. No. 43409

**RW** BUILDING CONSULTANTS, INC.  
P.O. Box 230, Valrico, FL 33595  
Phone No.: 813.659.9197  
FBPE Registry No. 9813

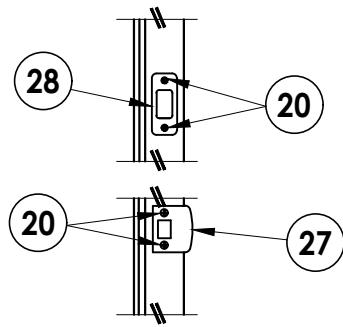
PRODUCT:	THERMA-TRU FIBERGLASS DOOR
PART OR ASSEMBLY:	FRAME ANCHORING

NO.	DATE	BY

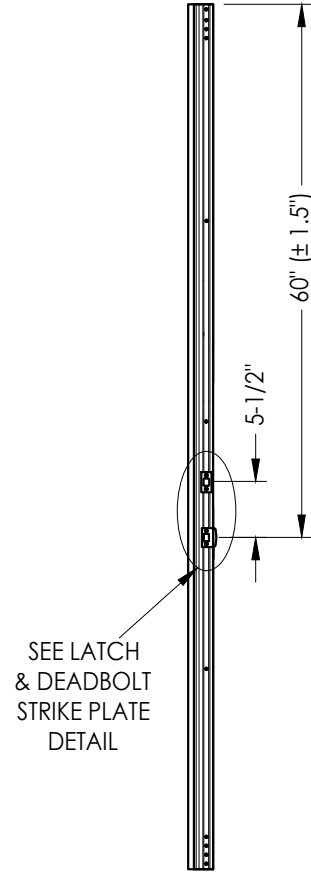
DATE:	6/17/24
SCALE:	N.T.S.
DWG. BY:	RW
CHK. BY:	LFS
DRAWING NO.:	FL-46832.6
SHEET	11 of 13



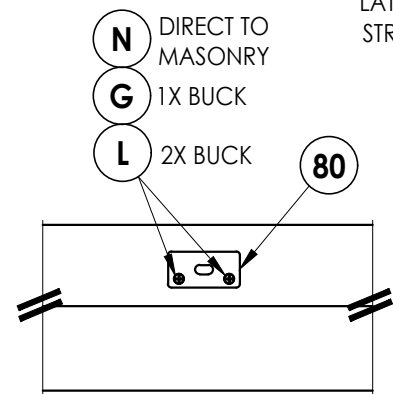
**HINGE JAMB**



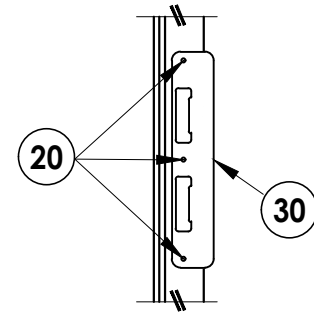
**LATCH & DEADBOLT DETAIL**  
Schlage / Kwikset



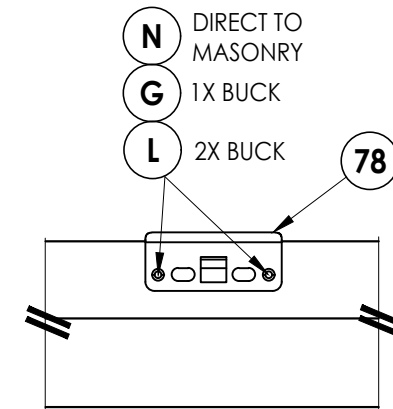
**ASTRAGAL**  
Latch & Deadbolt



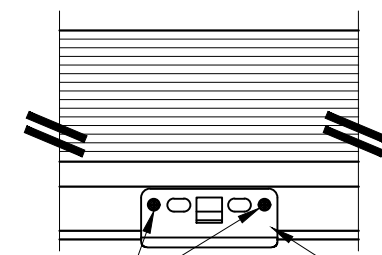
**ASTRAGAL**  
Multipoint Lock



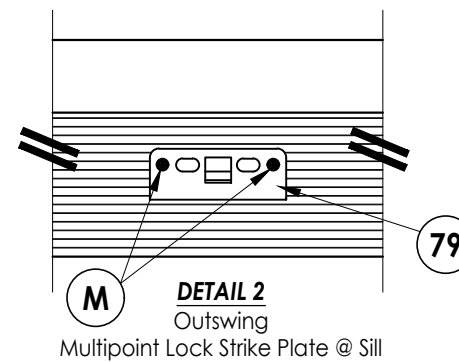
**MULTIPOINT LATCH & DEADBOLT STRIKE PLATE DETAIL**



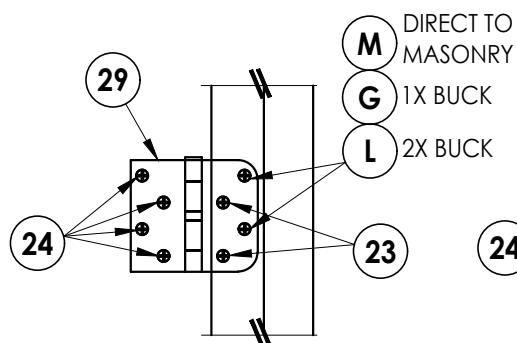
**DETAIL 1**  
Multipoint Lock Strike Plate @ Head



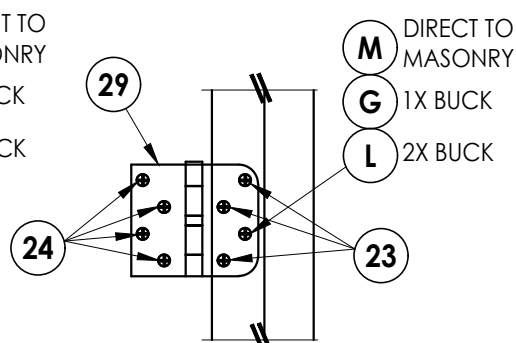
**DETAIL 2**  
Inswing  
Multipoint Lock Strike Plate @ Sill



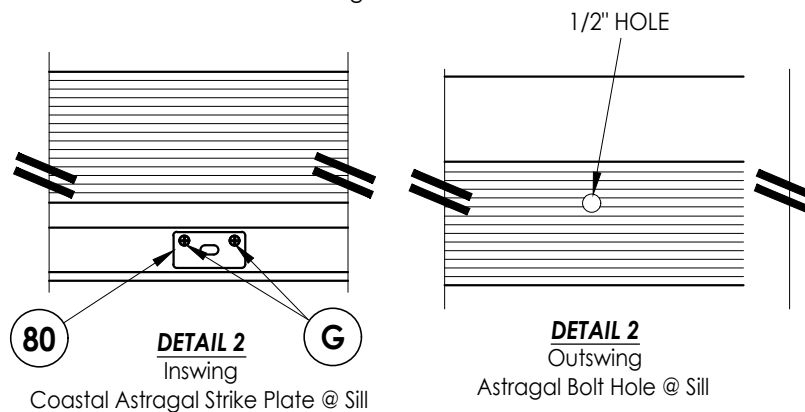
**MULTIPOINT LOCK STRIKE DETAILS**



**HINGE DETAIL**  
Inswing



**HINGE DETAIL**  
Outswing



**LATCH & DEADBOLT STRIKE DETAILS**

Documents Prepared By:  
Lyndon F. Schmidt  
P.E. No. 43409

**RW** BUILDING CONSULTANTS, INC.  
P.O. Box 230, Vairico, FL 33595  
Phone No.: 813.659.9197  
FBPE Registry No. 9813

PRODUCT:	THERMA-TRU FIBERGLASS DOOR
PART OR ASSEMBLY:	HARDWARE DETAILS

NO.	DATE	BY	REVISIONS

DATE:	6/17/24
SCALE:	N.T.S.
DWG. BY:	LFS
CHK. BY:	RW
DRAWING NO.:	FL-46832.6
SHEET	12 OF 13

